

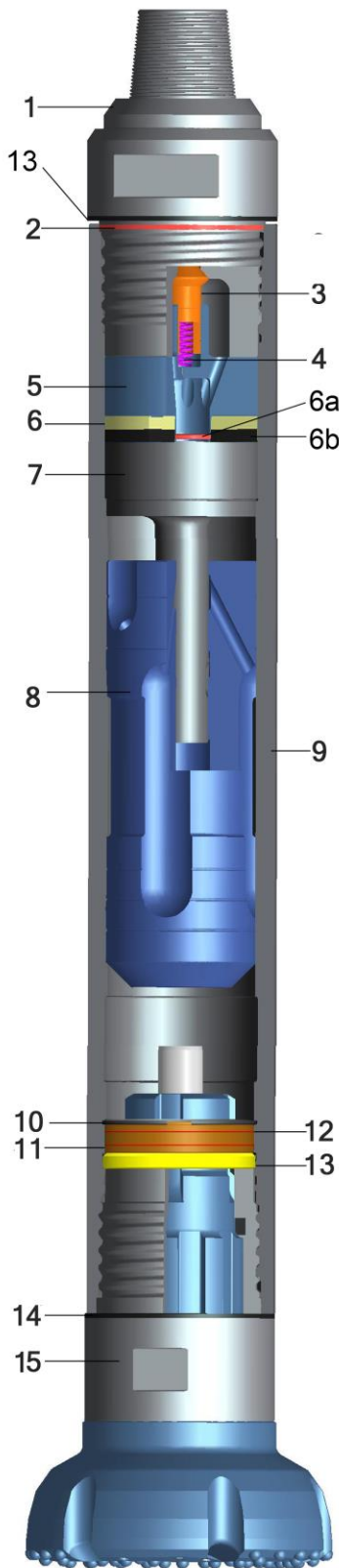
PITELUMEC

Thumper 120 DOWN THE HOLE HAMMER



THUMPER 120 FOR HOLE DIAMETER 302 - 460MM

PNEUMEC THUMPER 120 12" DOWN THE HOLE HAMMER



THUMPER 120 HAMMER PARTS LIST

1.	BACKHEAD 6-5/8" API REG PIN	HSP12S1T5M
2.	BACKHEAD "O" RING	HSP12S2
3.	CHECKVALVE	HSP12S3
4.	CHECK VALVE SPRING	HSP12S4
5.	VALVE CHEST	HSP12S5
6.	MAKE UP RING	HSP12S22
6a.	MAKE UP PLATE "O" RING	HSP12S6
6b.	MAKE UP PLATE	HSP12S23
7.	CONTROL TUBE	HSP12S8
8.	PISTON	HSP12S12N12
9.	WEARSLEEVE	HSP12S18
10.	PISTON RING	HSP12S25
11.	GUIDE BUSH	HSP12S26
12.	GUIDE BUSH SEAL (2)	HSP12S27
13.	BIT RETAINERS	HSP12S15N12
14.	WASHER (2)	HSP12S21
15.	CHUCK N120	HSP12S19N12
16.	COMPLETE HAMMER N120	HAM12SN12THP

THUMPER 120 HAMMER SPECIFICATIONS

DIAMETER	272MM
LENGTH (EFFECTIVE)	1887MM
PISTON WEIGHT	125KG
HAMMER WEIGHT	680KG
HOLE DIAMETER	302MM – 460MM
BACKHEAD CONNECTION	6-5/8" API REG PIN
SHANK TYPE	N120

THUMPER 120 HAMMER AIR CONSUMPTION

PRESSURE (BAR / PSI)	CFM	M ³ /MIN
6.9 / 100	600	17
10.3 / 150	1100	31
13.8 / 200	1600	45
15.2 / 225	2000	56



PNEUMEC COMPANY LIMITED

1st Floor, Tin On Sing Comm. Bldg., 41-43 Graham St. Central, H.K.

Tel : (852) 2180 9922

Fax : (852) 2180 9982

Website : www.pneumec.com

email : info@pneumec.com